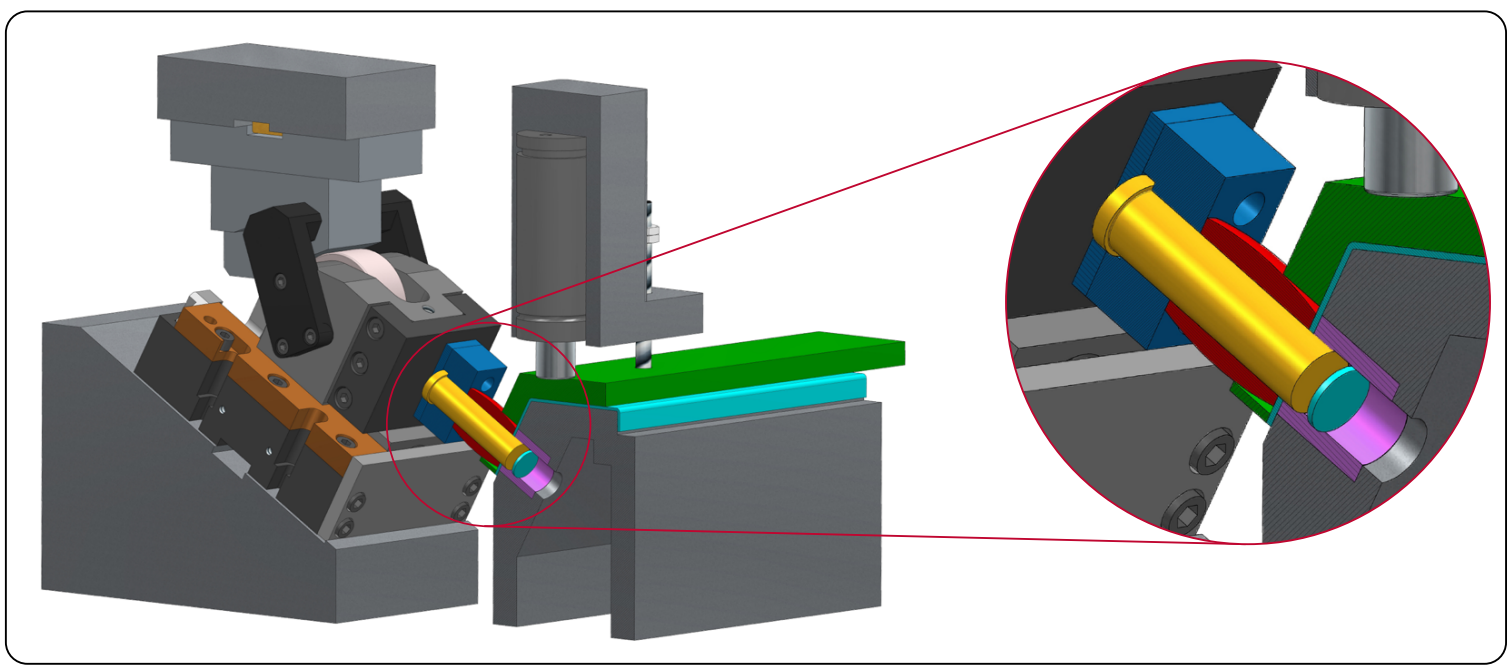
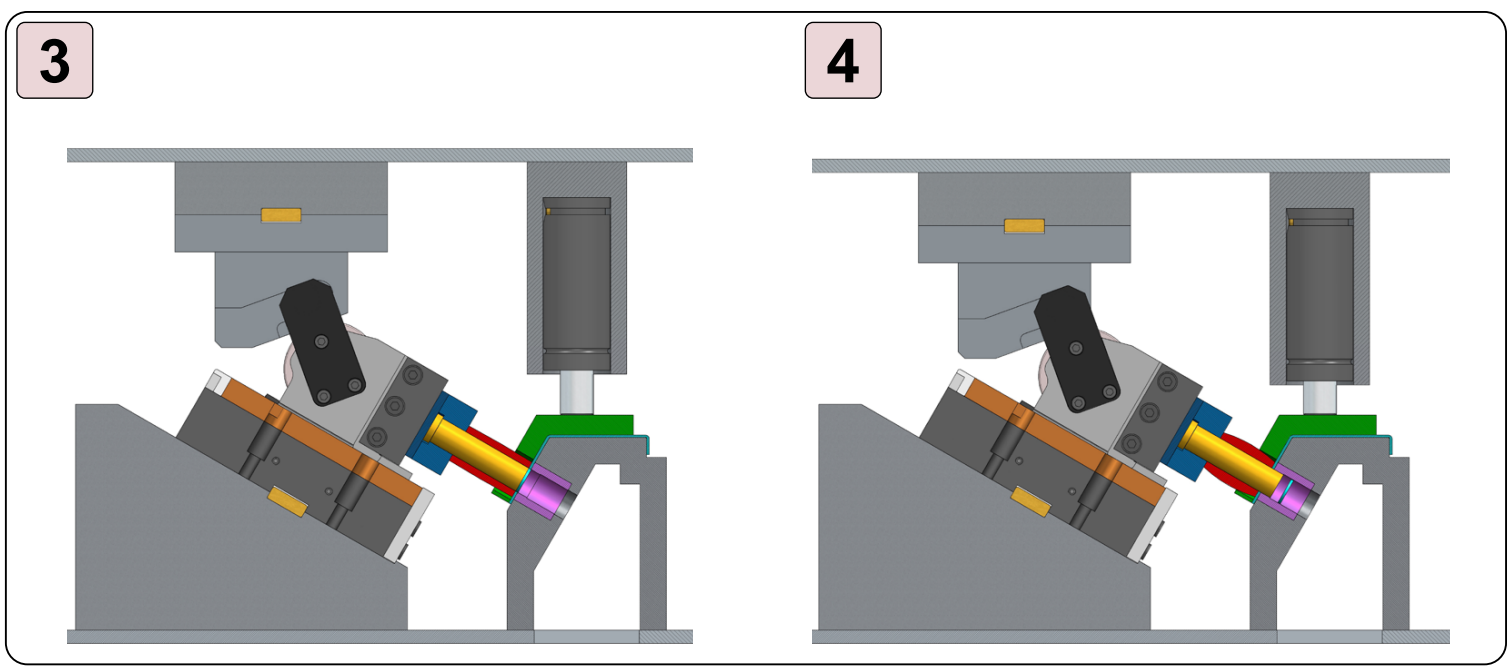
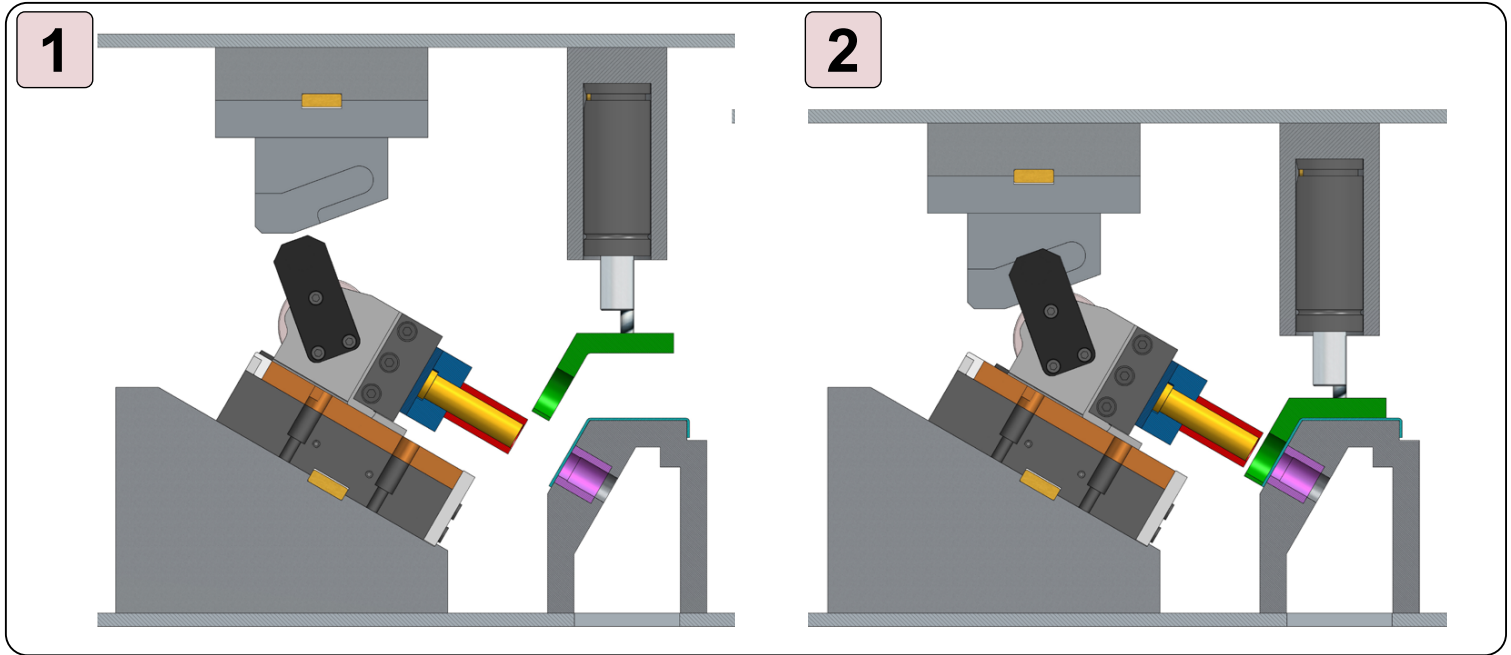


D

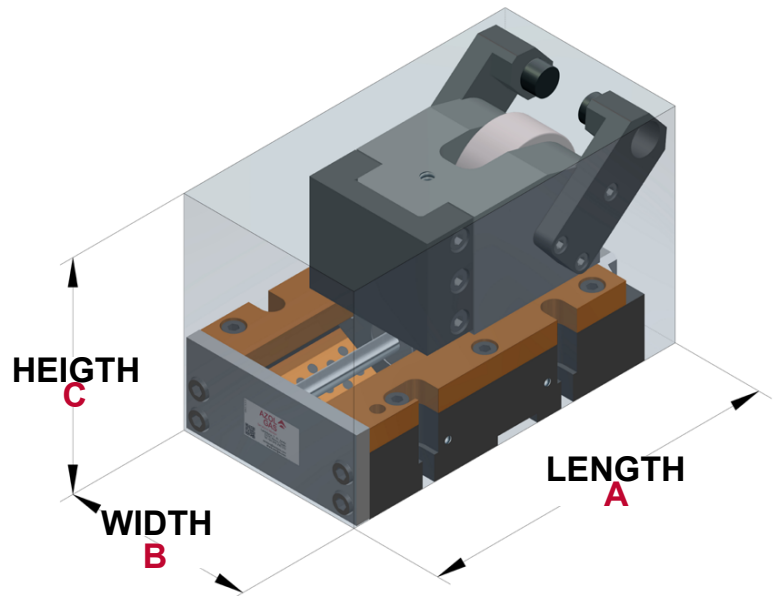
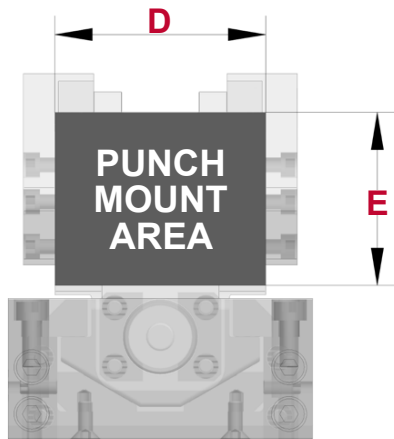
# EXAMPLE OF APPLICATION



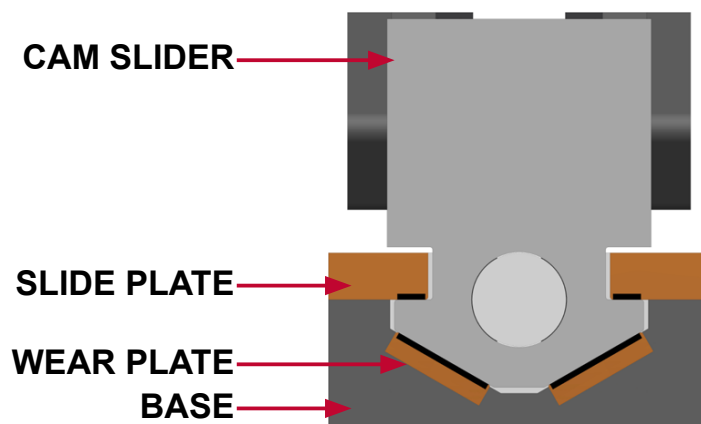


# TECHNICAL DATA

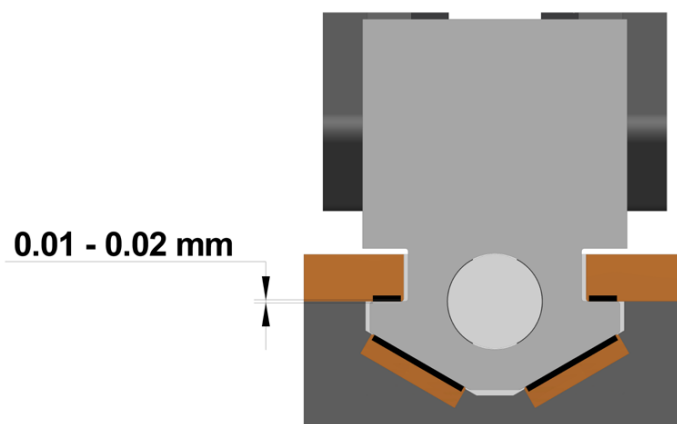
## DIMENSIONS



## STRUCTURE



## CLEARANCES



[www.rodavigo.net](http://www.rodavigo.net)

+34 986 288118  
Servicio de Att. al Cliente

F [www.azolgas.com](http://www.azolgas.com) *Service in Motion*

[azolgas@azolgas.com](mailto:azolgas@azolgas.com)

Tel. +34 945290010

# ROLLER CAMS AND PUNCHING UNITS

**AZOL  
GAS** 